

ASSEMBLY INSTRUCTIONS

METAL FRAME FOR BAMBOO ROLLS

NOTE: WORK SAFE. USE EYE, HAND AND FOOT PROTECTION WHEN INSTALLING AND ASSEMBLING OUR PRODUCTS.

HARDWARE:

- QTY (x8) 1/4 x 1 HEX WASHER SELF DRILLING SCREW CORR. RES. COATING (fig. B)
- QTY (x4) 1/4-20 x 2-1/2 CARRIAGE BOLT 18-8 STAINLESS STEEL (fig. C)
- QTY (x4) 1/4 FLAT WASHER 18-8 STAINLESS STEEL (fig. C)
- QTY (x4) 1/4 LOCK WASHER 18-8 STAINLESS STEEL (fig. C)
- QTY (x4) 1/4-20 ACORN / CAP NUT 18-8 STAINLESS STEEL (fig. C)

TOOLS REQUIRED:

- LEVEL
- RUBBER Mallet
- 7/16" WRENCH
- 3/8" HEX HEAD DRILL BIT
- POWER DRILL

INSTRUCTIONS:

1. ASSURE DISTANCE BETWEEN EACH FACE OF THE POLES IS 2432mm OR 95.75". METAL FRAME WILL NOT WORK WITH DISTANCES GREATER THAN 2432mm / 95.75" (figure A).
2. IF LESS, MEASURE AND CUT THE HORIZONTAL PIECES TO FIT.
3. ON THE INSTALLED POSTS, LEVEL AND MARK VERTICAL CHANNELS.
4. FASTEN VERTICAL CHANNELS USING SUPPLIED SELF-TAPPING SCREWS WITH A POWER DRILL AND 3/8" HEX HEAD DRILL BIT. ALLIGN TO TOP OF POST. (figure B).
5. INSTALL LOWER CHANNEL (WITH DRAINAGE SLOTS) AND FASTEN WITH CARRIAGE BOLT, FLAT WASHER, LOCK WASHER AND ACORN NUT. HAND TIGHTEN (figures C & D).
6. WE RECOMMEND YOU KEEP THE ACORN NUT ON YOUR PROPERTY SIDE OF THE FENCE.
7. INSTALL BAMBOO PANEL. ENSURE BAMBOO TOUCHES BOTTOM OF CHANNEL. BAMBOO IS A NATURAL PRODUCT, ALL POLES WILL NOT BE THE SAME DIAMETER. IF THE DIAMETER OF BAMBOO IS TOO WIDE, TRIM POLE WITH BLADE. BE PATIENT AND USE RUBBER Mallet TO TAP BAMBOO. WE RECOMMEND A MINIMUM OF 2 PEOPLE FOR INSTALLATION (figure E).
8. INSTALL TOP CHANNEL (WITHOUT DRAINAGE SLOTS) OVER THE VERTICAL CHANNELS AND THE BAMBOO PANEL. YOU MAY WISH TO USE A RUBBER Mallet TO ADJUST THE FRAME. FASTEN CHANNEL USING A CARRIAGE BOLT, FLAT WASHER, LOCK WASHER AND ACORN NUT. HAND TIGHTEN (figure F).
9. ONCE THE FRAMED PANEL IS COMPLETE, TIGHTEN ALL THE ACORN NUTS WITH A 7/16" WRENCH BEING CAREFUL NOT TO OVER TIGHTEN THEM.

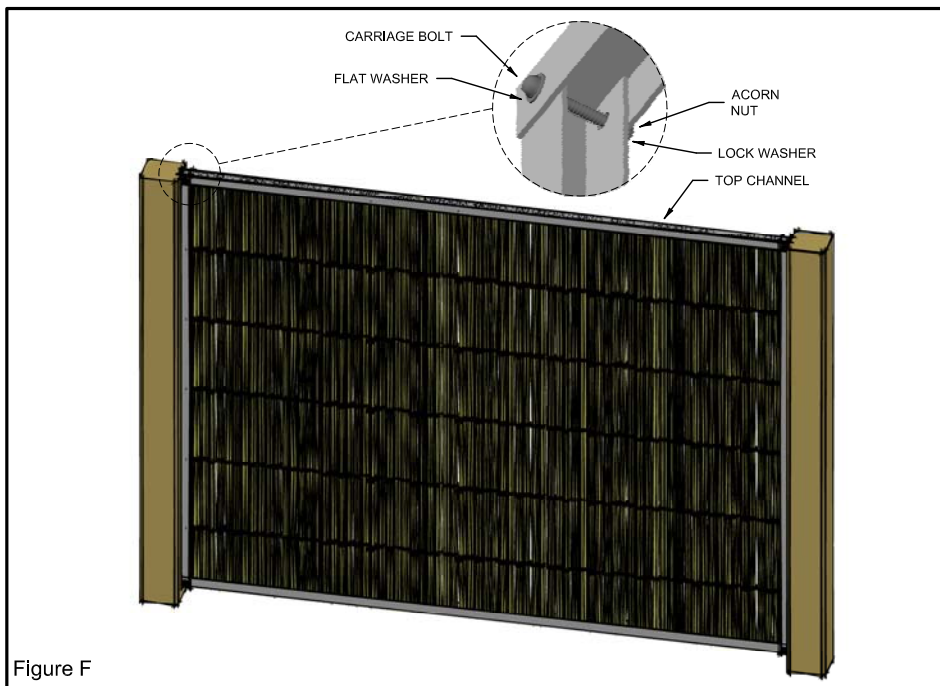
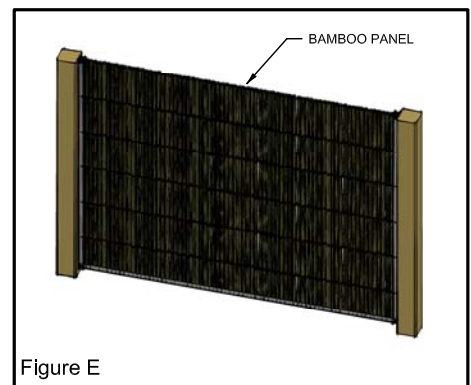
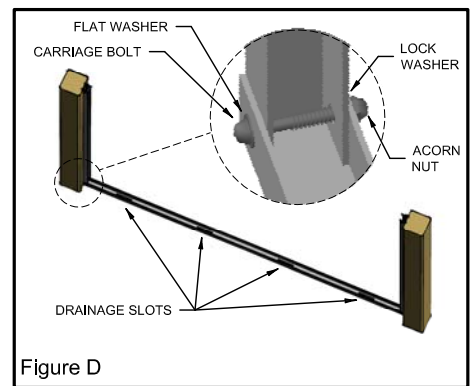
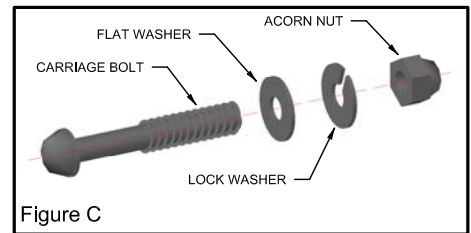
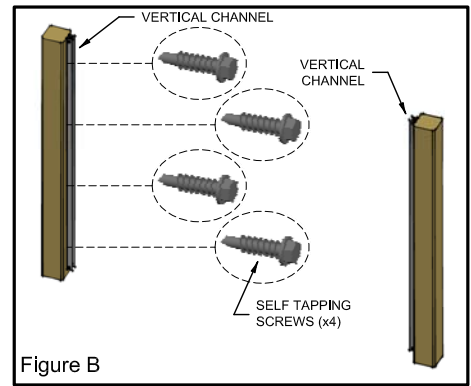
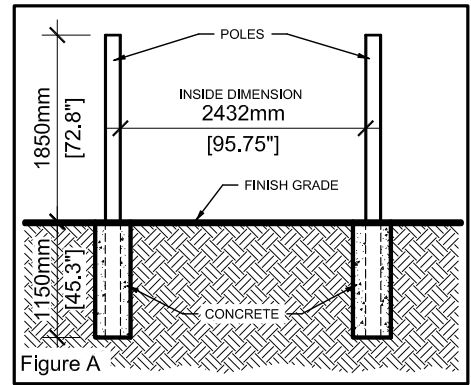


Figure F

Figure E